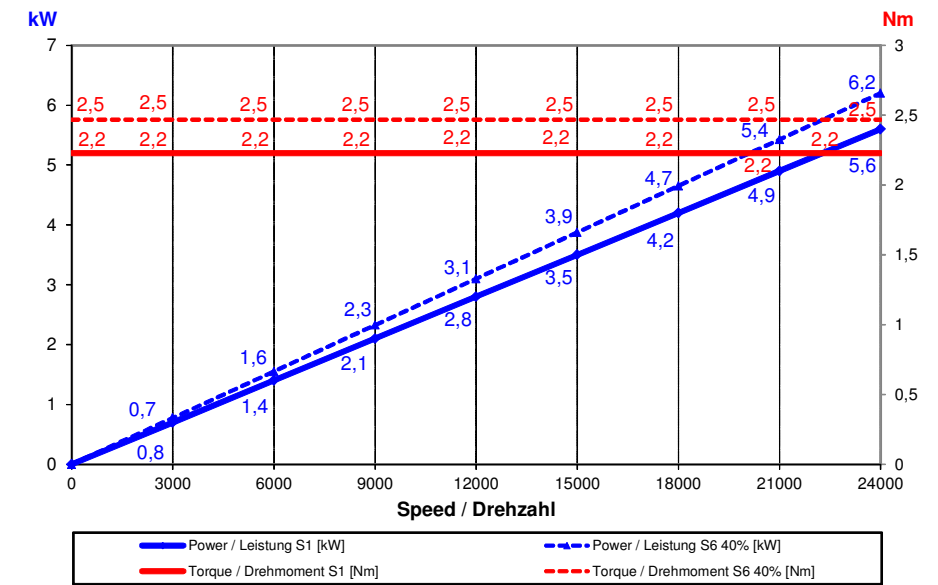
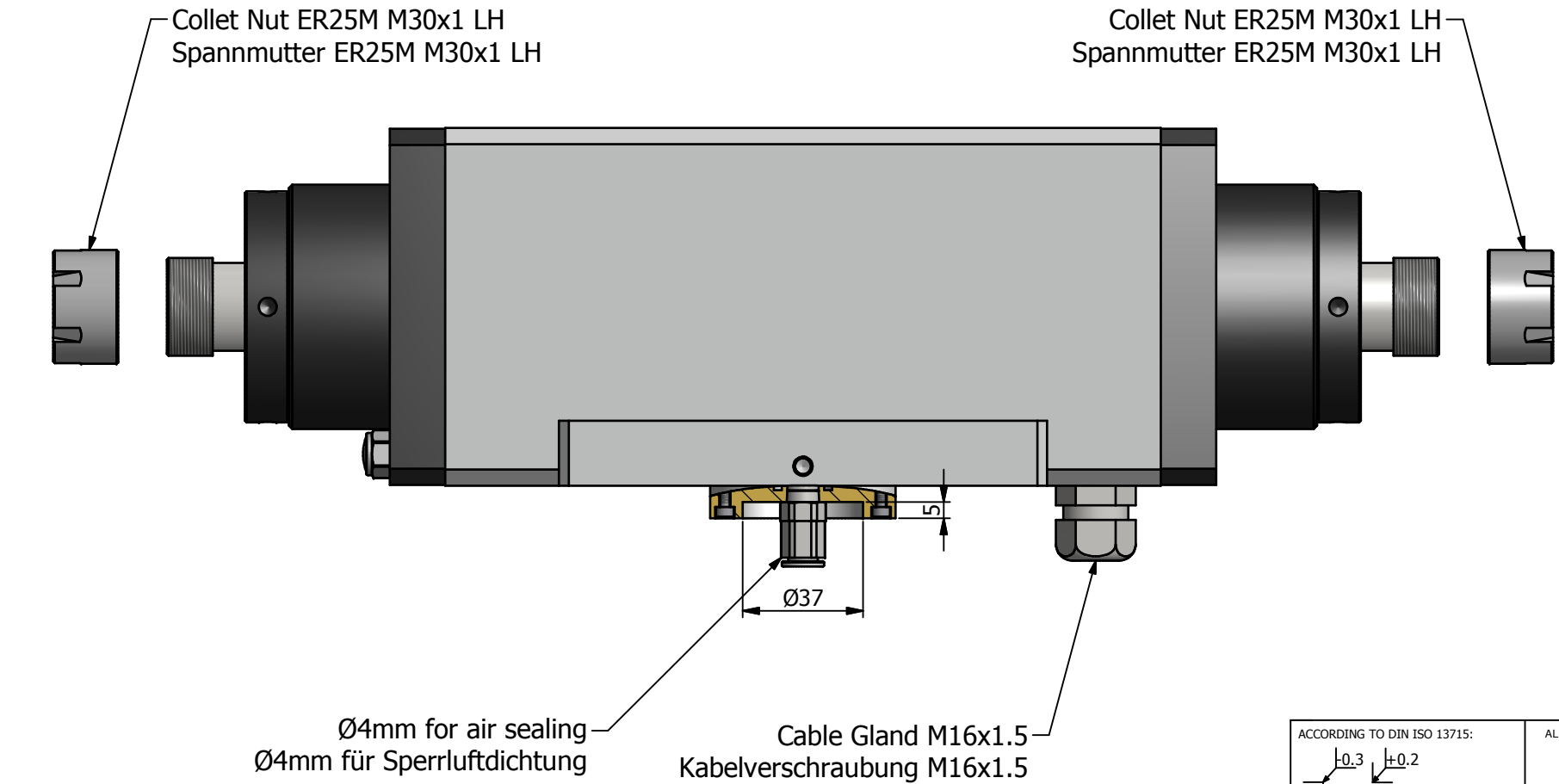


TOOL INTERFACE: 2x ER25M DIN ISO 15488
WERKZEUGSPANNUNG: 2x ER25M DIN ISO 15488



Power / Leistung S1: 5.6 kW / 7.5 HP
 Power / Leistung S6 40%: 6.2 kW / 8.5 HP
 Voltage / Spannung: 460 V
 Frequency / Frequenz: 400 Hz
 Speed / Drehzahl: 24.000 rpm
 Poles / Polzahl: 2
 Tool Interface / Werkzeugspannung: 2x ER25M DIN ISO 15488
 Cooling / Kühlung: compressed air / Druckluftkühlung
 Bearings front / Lager vorne: Steel / Stahl
 Bearings rear / Lager hinten: Steel / Stahl
 Weight / Gewicht: 17,0 kg



ACCORDING TO DIN ISO 13715: DIN ISO 1302: 0.3 / 0.2 or BETTER		ALL DIMENSIONS ARE IN MILLIMETERS TOLERANCES: DIN ISO 2768-1 fK 0.5 - 6 = ± 0.05 6 - 30 = ± 0.1 30 - 120 = ± 0.15 120 - 400 = ± 0.2 $\leq \pm 0.5^\circ$		 4367 Dallas-Cherryville Highway Bessemer City, NC USA 28015 Tel.: 704-922-1286 info@pdscolombo.com / www.pdscolombo.com Tüchtelbrink 68 D-32584 Löhne Germany Tel.: 05731/744 889-0 info@pds-gmbh.de / www.pds-gmbh.de		The content of this drawing is proprietary data and may be used solely for its intended business purpose. This drawing may not be reproduced, copied, or transferred without the expressed written consent of Precision Drive Systems, LLC. © Precision Drive Systems LLC 2014				
FIRST ANGLE PROJECTION 		ENGLISH LANGUAGE IS MASTER		NAME: ABE DATE: 17.03.2014 CHECKED BY:		DESCRIPTION: ADEC90-5.6-2-24-ER25-22-SS-4-BI		SCALE: 1 : 2	SIZE: A3	SHT: 1 / 1
DWG. NO: 881-090-C101				MASS: 17,0 kg		MATERIAL:		REV.: -		